

## Communications & Power Industries Coaxial Magnetron



The SFD349 is a coaxial magnetron delivering high peak and average RF power for use in various radar transmitters.

The SFD349 will mount directly into new and existing sockets and can be operated under various pulse and input conditions to accommodate wide ranging operating requirements. In addition to high power, the SFD349 provides excellent frequency stability, low jitter and long life.

### FEATURES:

- Frequency 8.5 – 9.6 GHz
- Peak power output 200 kW min.
- Duty cycle .001
- Air cooled
- Mechanically tunable

### BENEFITS:

- >40,000 hours life
- Exceptional frequency stability

### APPLICATIONS:

- Threat simulator radars
- Weather radars
- Fire control radars
- Search radars
- Air Traffic Control radars

# CPI X-Band 200 kW Coaxial Magnetron: SFD349

## Electrical Specifications

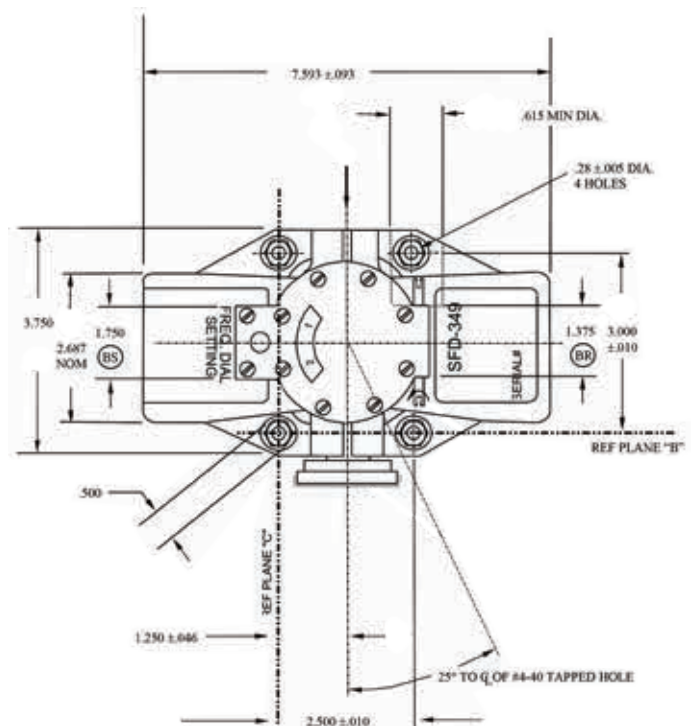
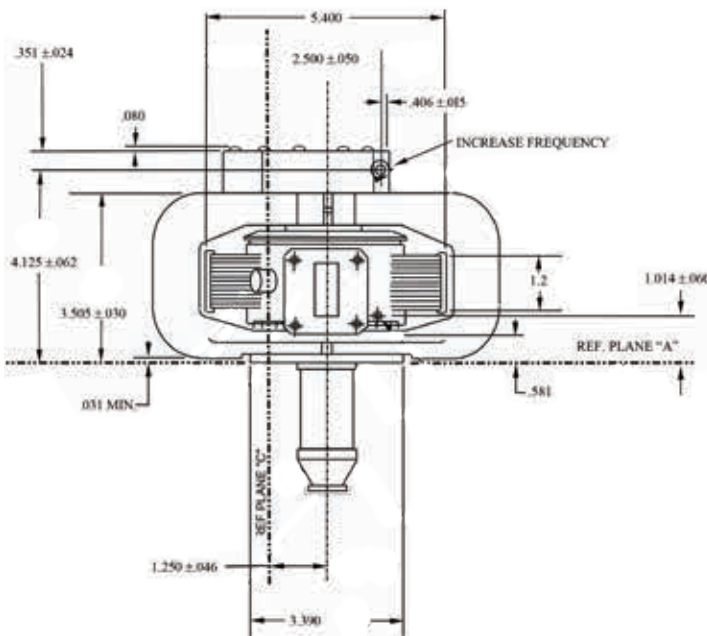
Frequency	8.5 – 9.6 GHz
Peak power output (min.)	200 kW
Average power output (min.)	200 W
Pulse voltage	20.0 – 23.0 kV
Peak anode current	27.5 A
Average anode current	27.5 mA
Maximum pulse width	2.8 $\mu$ S
Duty cycle	0.001
Maximum filament voltage	15 V
Maximum filament current	3.6 A
Minimum warm-up time	150 S
Maximum load VSWR	1.5:1

## Mechanical and Environmental Specifications

Cooling	Forced air
Maximum body temperature	125°C
Mounting position	Any
Support	Mounting flange
Coupling	WR 112 mates with RG-52/U choke flange modified for clearance holes
Weight	13.5 lbs. (6.12 kg)

With a history of producing high quality products, we can help your with magnetron.

Contact us at [BMDMarketing@cpii.com](mailto:BMDMarketing@cpii.com) or call us at +1 978-922-6000.



**Beverly Microwave Division**  
150 Sohier Road  
Beverly, Massachusetts  
USA 01915

tel +1 978-922-6000  
email [BMDMarketing@cpii.com](mailto:BMDMarketing@cpii.com)  
fax +1 978-922-8914  
web [www.cpii.com](http://www.cpii.com)

For more detailed information, please refer to the corresponding CPI technical description if one has been published, or contact CPI. Specifications may change without notice as a result of additional data or product refinement. Please contact CPI before using this information for system design.

©2020 Communications & Power Industries LLC. Company proprietary; use and reproduction is strictly prohibited without written authorization from CPI.